



The Bulletin

January/February 1989



DC Askim, NSTRA Ch.
Winner, Fox Valley
Hunting Dog Championship
Owners - Jim & Linda Busch

President: Randy Boggs, 10708 Smith Rd.,
Pecatonica, Il. 61063 (815)-335-7572

Vice-Pres: Roy Greffin, 26525 W. Hickory Alley,
Ingleside, Il. 60041 (312)-587-7299

Secretary: Gwen Tomlinson, 513 Thomas,
Bolingbrook, Il. 60439 (312)-739-6190

Treasurer: Iris Pechota, 15721 Fairfield St.,
Lombard, Il. 60148 (312)-627-8766

BOARD OF DIRECTORS

Earl Colclasure 741 Hawthorne, Elmhurst, Il. 60126
(312)-279-3539

Bill Elliott 4414 Greenwood Rd., Woodstock, Il.
60098, (815)-648-4209

Lois Greffin 26525 W. Hickory Alley, Ingleside, Il.
60041 (312)587-7299

Kathy Harmer 7541 Edwardsville Rd., Rockford, Il.
61102 (815)-963-3039

Tony Lucas 404 N. Park St., Westmont, Il. 60559
(312)-964-1219

Geno Woehrl 23W737 Maple, Roselle, Il. 60172
(312)-529-0978

Bulletin Editor: Sue Boggs, 10708 Smith Rd.,
Pecatonica, Il. 61063 (815)-335-7572

ADVERTISING RATES: Full page, 1 photo - \$15; 1/2 page
1 photo - \$12; full page, no photo - \$10; 1/2 page
no photo - \$5; 1/4 page, no photo - \$3. 1/4 page puppy
advertisement free for club members.

Opinions expressed in articles submitted are those of the author and
do not necessarily constitute endorsement by the editorial staff, the
VCOI, nor its Board of Directors. The VCOI endorses the efforts of
organizations such as the VCOA and the OFA to eliminate hip dysplasia
in dogs, and encourages all of its members to use **ONLY CERTIFIED NORMAL
BREEDING STOCK AT ALL TIMES.** The OFA Dysplasia Control Office is located
at 817 Virginia Ave., Columbia, Mo. 65201.

MEMBERSHIP: Check type of membership and mail to **TREASURER, IRIS PECHOTA,**
1 S 721 FAIRFIELD, LOMBARD, IL., 60148.

\$7.50 Single _____ \$10.00 Family _____

NAME: _____

STREET: _____

CITY: _____ STATE _____ ZIP _____

PHONE NO. (_____) _____

MEETING MINUTES

The regular meeting of the Vizsla Club of Illinois came to order at 9:00pm on January 18, 1989 at the home of Cheryl & Geno Woehrle. Due to the absence of the President and Vice-President, former President Roy Greffin called the meeting to order. Treasurer Iris Pechota gave a positive report on the bank balance. Ann Lucas substituted for Secretary Gwen Tomlinson who was in Florida. Tony Lucas motioned to accept the previous meetings' minutes as printed in The Bulletin. Seconded by Lois Greffin and passed.

COMMITTEE REPORTS. Linda Busch reported on the next VCOI event, our Winter Party, to be held Feb. 11, 1989 at the Plentywood Farm, Bensenville, Il. Cost is \$20 per person. There will be lots of fun and surprises. A vote was called for on a theme for the party - "50's & 60's" theme was decided upon. A flyer will be mailed to members. Iris Pechota motioned to treat the Woehrles in appreciation of the use of their home for meetings. Seconded and passed.

Plans for the Hunting Test were reported by Roy Greffin. It will be held on Saturday, 2/25/89 on the West Grounds at DesPlaines. This is a LICENSED TEST, meaning dogs can earn a "leg" toward their HT title. Premiums are in the mail. Rose Crago is handling the luncheon and would like food donations. On Sunday, 2/26/89 we will have our usual Spring Fun Trial/Training Session with plenty of birds to work your dogs on.

The Spring Field Trial report was given by Mark Johnson. Dates are March 11-12, 1989, West Grounds at DesPlaines. Judges are Bill Elliott, Roy Greffin, Rick Contalio and Joe Doyle. The Limited Stakes will be retrieving. Chicken dinner to be served Saturday night on the grounds.

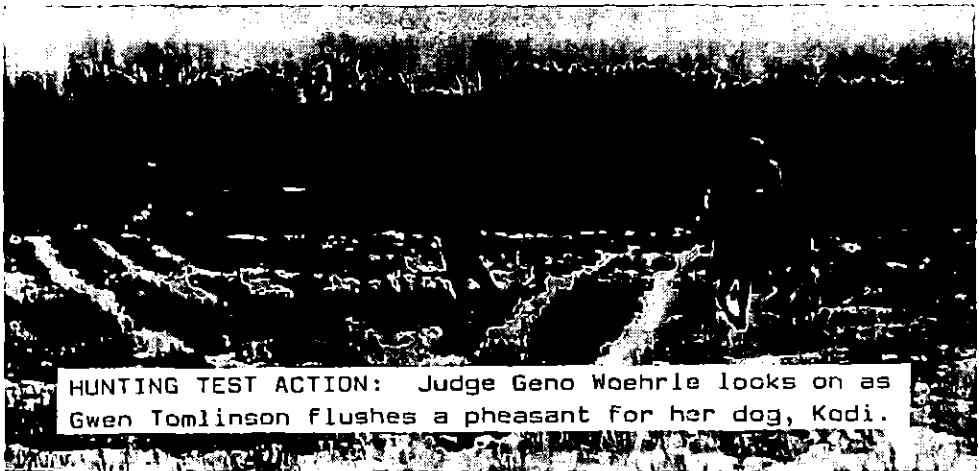
OLD BUSINESS. Slate of Officers for 1989 was presented by Geno Woehrle. President - Randy Boggs, Vice-President - Roy Greffin, Secretary - Gwen Tomlinson, Treasurer - Iris Pechota. Board of Directors: Earl Colclasure, Bill Elliott, Lois Greffin, Kathy Harmer, Tony Lucas, Geno Woehrle. New slate of officers was accepted.

NEW BUSINESS. Introduced as guests were Karen and Scott Szafran and Jim Kensic.

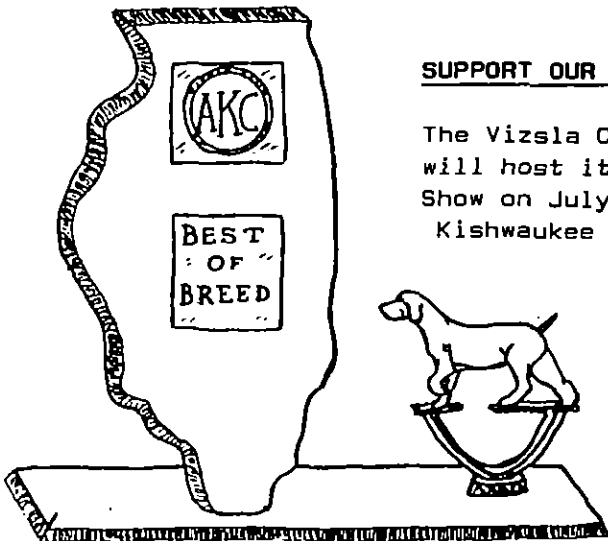
Tony Dewar motioned that the VCOI run a Hunting Test on Sept. 16-17, 1989 with the Northern Illinois Weimaraner Club to help save on expenses and share workers. Linda Busch seconded the motion, which was passed.

ANNOUNCEMENTS. Tony Dewar knows of a 2 year-old male Vizsla who needs a home. He has been a pet/hunting companion. Don Sipriani (312-785-8654) has one male puppy available - whelped 10/17/88.

Tony Dewar motioned that the meeting be adjourned. Motion was seconded and passed.



HUNTING TEST ACTION: Judge Geno Woehrle looks on as Gwen Tomlinson flushes a pheasant for her dog, Kodi.



SUPPORT OUR SPECIALTY SHOW!

The Vizsla Club of Illinois will host its annual Specialty Show on July 15, 1989 at the Kishwaukee Kennel Club Show in Belvidere, Ill. You can help support the Specialty with a donation to the trophy fund. Send donations to:

Kathy Harmer
7541 Edwardsville Rd.
Rockford, Il. 61102

EDITOR'S CORNER

Thanks to everyone who contributed information to this issue of The Bulletin - it sure makes my job a lot easier!

A note from Ann Lucas included a newspaper clipping concerning the selection of Sheila Holzworth of DesMoines as one of the 10 Outstanding Young Americans for 1989 by the United States Jaycees organization. Many of us will recall Sheila from her years of involvement with the Vizsla breed.

Thanks to Chuck Boegel for passing on the information on the Conibear trap from Outdoor Highlights. Knowing how to open this trap quickly could help save your dog's life.

Karen Perry, owner of **Dallerry's Hunter**, loves to show dogs! She is willing to show your Vizsla for free - charging no handler's fee. You pay only the dog's entry fee. If you're interested, contact Karen at home (815)-722-1535 or work (815)-729-2333.

Those of you who missed the Hunting Test missed a great event. The test was relaxed, even though it moved along at a fast pace. It was really interesting to see dogs of other breeds at work in the bird field. Our test included entries of Brittanys, German Shorthairs, Weimaraners, and Irish Setters, as well as Vizslas. If you've been thinking about getting into Hunting Tests but aren't sure how or where to start, be sure to join us at our summer fun trial. There'll be lots of assistance available for people wanting to get their dog started. Our next Hunting Test will be Sept. 16 or 17 at DesPlaines.

On a personal note, a picture of our puppy, **Chief**, was included in Gun Dog Magazine's (Mar/Apr '89) feature on puppies. **Chief** appears as he is "caught in the act" doing major excavation work on our driveway last summer.



Behi Red Chief, a three-month-old Vizsla, likes to dig holes and hunt, and not necessarily in that order. Chief belongs to Randy and Sue Boggs of Pecatonica, Illinois.

HUNTING DOG TEST A HUGE SUCCESS!

Last August, Hunting Test Chairman Bill Elliott ushered the VCOI into the brave new world of Hunting Dog Tests and club members liked what they saw. This provided the impetus for the Club to hold the VCOI's second Hunting Dog Test on February 25, 1989. What an event that turned out to be! 80 dogs were entered in this one day event and by the end of the day, 48 dogs had earned a qualifying score in one of the three Hunting Tests offered. The difficult task of running and judging all of these dogs in all of these tests was accomplished by a lot of dedicated and hard-working club members. To wit:

1. Three simultaneous courses under Judges Bill Elliott, Earl Colclasure, Geno Woerhle, Jim Couris, Tony Dewar and Bill Lyman.
2. The Junior Hunting Dog Test Bird Planters: Harry Ruffner, Jim Melicharek and his friend Tom on Course A, and Duke Ficek, Mike Maloney, Larry Tomlinson and Sue Boggs on the B course.
3. The Senior and Master Hunting Dog Tests Bird Planters and Gunners: Randy Boggs, Tony Lucas, Mark Johnson, Joel Lundin and Tony Ordonez.
4. Line Marshals Jim Busch, Tony Ordonez and Larry Tomlinson kept a steady flow of braces to the starting lines; a crucial task when 3 simultaneous courses are in progress.
5. The Food Concession that provided food to Judges and Test participants throughout the day was organized and managed by Rose Crago and assistants.
6. The typing and duplicating of Premiums and running orders was done by Tony and Kim Dewar.
7. Finally, great thanks to all those who saw a job that had to be done and did it. This is the cement that binds such an event together.

Lois and I wish to thank all for the support and assistance that made this event possible and successful. Anyone who saw this group in action on Feb. 25th would have to agree that there is something special about the VCOI membership. Lois & Roy Greffin, Test Secretary and Chairman

Ed. Note: I would like to add that a GIGANTIC pat-on-the-back should go to Roy and Lois for all of their hard work in making this test a success. Their many hours of work and planning paid off for the test participants and for the club. THANK YOU, Roy and Lois, For a job WELL DONE!



Esteemed Judges Jim Couris and Geno
Woehrle on the Junior Hunter course



Tony Lucas and his fast-moving
dog head in from the bird field



Other breeds got in
on the action, too!

upon the dog's size and how the jaws close on its neck, you have about three to eight minutes to save the dog using the following directions.

1. Immediately squeeze both springs and twist the trap so that the jaws are not placing pressure on the

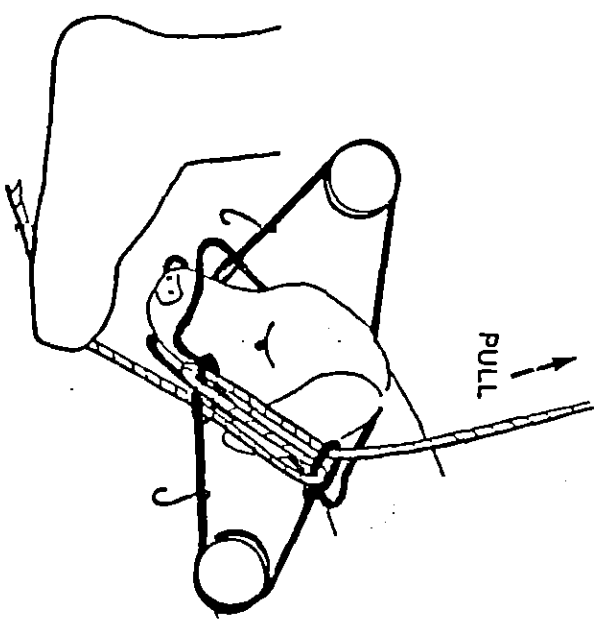
over the two arms of the spring. This pressure is now on one side of the trap jaws.

3. Follow the same steps for the opposite spring.
4. Slide the dog's head out from between the jaws of the trap.

USING A ROPE TO REMOVE YOUR DOG FROM A CONIBEAR 220

Bring a four-foot piece of rope along with you on your hunting trips. (A belt or boot string could be used instead of rope.)

1. Thread a rope through the rings which hold the springs on the jaws.
2. Bring the rope around and thread it back through the rings as before.
3. Put your foot on the rope end and pull free end. This compresses the spring so safety locks can be latched. Do same to both springs.



From Outdoor Highlights, Illinois Department of Conservation

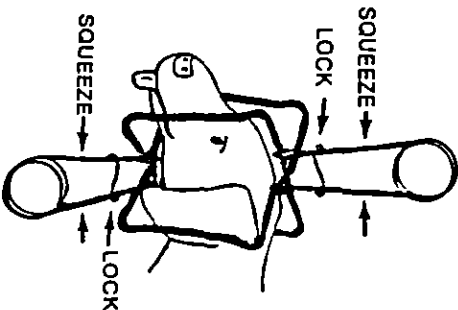
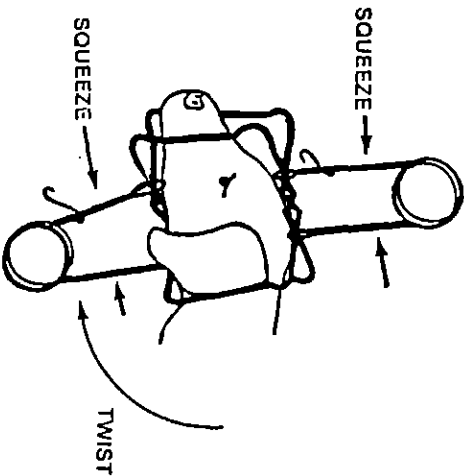
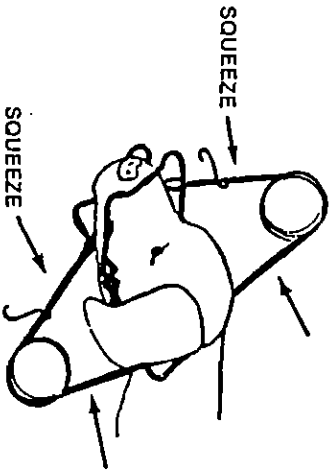
4 OUTDOOR HIGHLIGHTS

CONIBEAR (BODY-GRIPPING) TRAP INFORMATION

If your dog gets caught in a Conibear-type trap, knowing this important information could save your dog.

According to existing Illinois wildlife regulations, size 330 Conibear traps are legal only in water sets. Size 220

and smaller Conibear traps can be used on land as well as in water. However, the Department of Conservation encourages trappers to use only certain selective sets when employing size 220 Conibear traps on land.



HOW TO REMOVE YOUR DOG FROM A CONIBEAR 220

While the conibear trap is very lethal (Kills game animals quickly), if your dog gets its head into these types of traps, the dog will not be killed instantly. Depending

dog's windpipe.

at the time of the trap, the dog will not be killed instantly. Depending

your hands until you are able to fasten the safety lock

Obedience

OBEDIENCE VERSUS OBEDIENT

by JoAnn Mather, Washington OTC
"The Canine Post"

The handler of a high-scoring Golden Retriever steps forward to pick up her ribbon, and her dog nearly pulls her off her feet in his zeal to get at another dog. A High-in-Trial Border Collie breaks open the door of his crate attempting to attack anything and everything that walks by. A Malamute with his UD cannot be let off leash because he takes off for the wild blue yonder when he's loose. What's wrong with this picture? It's very simple.

These people have "Obedience Dogs". They don't have "obedient" dogs. The dogs were trained to respond to a specific pattern of commands on which they will be tested in the obedience ring. Outside of that environment, away from those commands, those dogs are no more obedient than a stray on the street.

Think back. Why did you take your first Obedience Class? Odds are 100 to 1 that it was because 'you wanted your dog to behave'. That's the whole purpose of obedience training: to produce a dog that will behave. At home...in public...at Great Aunt Susie's house...where ever. "Obedience" dogs won't do that. The only place they'll behave is in the ring. And then they'll only do the formal exercises for which they've been conditioned.

Ever go to a Kennel Club Show (with a lot of off-the-street spectators)? What do people watch? The snappy precision heeling; the smartly executed finishes; the difficult to train and perfect Directed Retrieves? No. They watch sits and downs. Why? (You'll have to admit watching dogs do Sits and Downs is about as exciting as watching paint dry.) It is because here they see dogs being good.

Does your next door neighbor care if your dog completed his Companion Dog Title with an average of 199 1/2? Probably not - your dog's breeder or someone else with a vested interest would be impressed. Your next door neighbor will be a lot more impressed by the fact that your dog stays in his own yard, doesn't bark all day or at unearthly hours of the night, and doesn't run around the neighborhood digging and/or pooping in everyone's flower bed.

Have you ever heard someone say, "This dog would be great for obedience"? Or know of a dog being selected and purchased solely on his supposed aptitude for earning high scores in the ring? A nationally-known high scoring trainer tries out dogs as if they were new coats: if one doesn't come up to expectations, get rid of it and get another one. Here we see folks losing sight of a basic fact. Dogs aren't for obedience. Obedience is for dogs!

Let's examine the Purpose of Obedience, as stated in the Regulations:

"...The purpose of obedience trials is to demonstrate the usefulness of the pure-bred dog as a companion of man, not merely the dog's ability to follow specified routines in the obedience ring...the basic objective of Obedience Trials is to produce dogs that have been trained and conditioned always to behave in the home, in public places, and in the presence of other dogs, in a manner that will reflect credit on the sport of Obedience..."

(from The Purpose of the Obedience Regulations, 6/1/87)

Let's not lose sight of the goal of Obedience training: to produce obedient dogs. We hear a lot about "back to the basics". In my opinion we need to get back to the basic principle that dogs should not be "obedience" dogs but "obedient" dogs.

Reprinted from the Washington OTC "The Canine Post" via the Gateway Vizsla Club Newsletter.



HEARTWORM ALERT!

Although it's not quite warm enough yet for "skeeters", the mosquito and heartworm season will be upon us soon enough. NOW is the time to take your dog into your vet to have his annual heartworm blood test. After determining that the dog is not presently infected with heartworms, you can safely start him on the preventative, which should be continued through the summer and fall. If you have any questions about heartworm or the different kinds of preventative (both daily and monthly) now on the market, consult with your veterinarian.

VOLUNTEERS NEEDED FOR FALL HUNTING TEST!

There's no time like the present to start planning for our next Hunting Test. Test Chairman Tony Dewar is looking for volunteers to help organize and run this event. The date for the Test will be either September 16 or 17 (committee to decide on date) and it will be held at DesPlaines Wildlife Area near Joliet. Volunteers are needed for a Test Secretary as well as Committee Members, bird planters, and gunners. Contact Tony Dewar at (312)-546-6454.

Tiger

Ed. note: is this a common Vizsla trait
or just peculiar to my dogs?

Bud Blake



Show Wins



Ch. Polar Kap's Four on the Floor - Best of Breed: Skokie Valley KC, 12/17/88; Parkshore KC, 1/28/89; Skokie Valley KC, 1/29/89; St. Petersburg DFA, 1/14/89. o/h Kathy Harmer

Ch. Polar Kap's Rozy Vizion - Best of Breed: Goldcoast KC, 12/18/88; Yorkville KC, 12/19/88. o/h Gwen Tomlinson

Redfield's Sunkist Vizion - 1st place Puppy Bitch - Savannah KC, 1/6/89; Jax DFA, 1/7/89; Lakeland KC 1/10/89; Manatee KC, 1/12/89. o/h Gwen Tomlinson

Polar Kap's Dandy Lyon - 1st place Puppy Bitch - Tampa Bay KC, 1/15/89; St. Petersburg DFA, 1/14/89. o/h Kathy Harmer

CONGRATULATIONS! to Gwen Tomlinson and **Ch. Kalypso Kopy Kap Kodi, CDX**. Kodi was #6 in the Top Ten Obedience Dogs in 10 the Vizsla News November-December issue.

 * ON THE COVER *
 * *
 * Featured on this issue's cover is DC Askim, NSTRA Ch. *
 * owned by Jim & Linda Busch. Askim was the first *
 * winner of the prestigious Fox Valley Hunting Dog *
 * Championship Traveling Trophy, which was awarded *
 * at the Spring Fun Trial on Sunday, 2/26/89. *
 * *

SPRING FUN TRIAL

After putting in a full day's work on Saturday at our Hunting Test, everyone was ready for some FUN (dogs, too). So, it was no coincidence that we had scheduled a Fun Trial for the Sunday following the Hunting Test!

We drew a good mix of experienced dogs and younger puppies who were just getting their feet wet (owners, too). The more seasoned Hunters/Field Trialers headed for the West side of the grounds to compete in the Fox Valley Hunting Dog Championship. A new event for our Fun Trial, this Championship stake is an informal and enjoyable evaluation of HUNTING SKILLS. A lavish and impressive Traveling Trophy has been designed to honor the winners of this new annual event. The inaugural winner of the trophy was DC Askim, NSTRA Ch., who is owner-handled by Jim Busch. Placements for the stake were as follows:

- 1st. DC Askim, NSTRA Ch. o/h Jim Busch
- 2nd. Ch. Russet Duke's Tawny Tamerlane, o/h Roy Greffin
- 3rd. Ch. Greffin's Ha'Penny o/h Roy Greffin
- 4th. Brook's Budman o/h Tony Lucas

A special thanks to Rich Contaldi who served as judge for this stake.

While the Championship stake was being run on the West side of the grounds, puppy-type things were happening on the East side. The younger dogs ran a short back-course with a lot of emphasis on pheasants in the bird-field. There were plenty of opportunities for each puppy to find out just how much fun pheasants can be!

All-in-all, it was a super way to beat the winter blahs! 11
 Thanks to everyone who came out and participated!

Upcoming Events

SHOWS

- *Saturday, 4/1/89, Blackhawk KC, (benched), Chicago, Il. Crowe, superintendent
- *Sunday, 4/2/89, International KC of Chicago, (benched), Chicago, Il. Crowe
- Sunday, 4/9/89, Sandemac KC, Decatur, Il. Onofrio
- *Saturday, 4/15/89, Steel City KC, Hammond, In. Sleeper
- *Sunday, 4/16/89, Lake Shore KC, Hammond, In. Sleeper
- *Saturday, 4/29/89, Packerland KC, Green Bay, Wi. Sleeper
- *Sunday, 4/30/89, Sheboygan KC, Sheboygan, Wi. Sleeper
- *Saturday, 5/6/89, Janesville-Beloit KC, Beloit, Wi. Sleeper
- *Sunday, 5/7/89, Badger KC, Madison, Wi. Crowe
- *Saturday, 5/13/89, Scott County KC, DeWitt, Ia. Onofrio
- *Sunday, 5/14/89, Tri-City KC, Davenport, Ia. Onofrio
- *Sunday, 5/21/89, Quincy KC, Mendon, Il. Onofrio
- *Saturday, 5/27/89, Illinois Valley KC of Peoria, Bloomington, Il. Onofrio
- *Sunday, 5/28/89, Illinois Capitol KC, Bloomington, Il. Onofrio
- *Monday, 5/29/89, Corn Belt KC, Bloomington, Il. Onofrio
- *Monday, 5/29/89, Clermont County KC - Miami Valley Vizsla Club Specialty, Milford, Ohio Crowe
- *Sunday, 6/4/89, Stone City KC, Morris, Il. Crowe
- *Friday, 6/9/89, Greater Freeport Ill. KC, Wheaton, Il. Sleeper ??? on this date
- Sunday, 6/11/89, KC of Yorkville, Il., Sugar Grove, Il. Sleeper

*DENOTES OBEDIENCE TRIAL IN CONJUNCTION WITH SHOW

OBEDIENCE TRIALS

- Sunday, 4/30/89, Quad Cities Dog Obedience Club, Rock Island, Il.
- Sunday, 5/21/89, North Shore DTC, Waukegan, Il.
- Saturday, 6/10/89, Milwaukee DTC, Milwaukee, Wi.
- Sunday, 6/11/89, K-9 OTC of Menomonee Falls, Menomonee Falls, Wi.

TRACKING TESTS

Sunday, 4/30/89, Lyons Township DTC, Naperville, Il.
Sunday, 5/21/89, Pecatonica Tracking Club, Rockford, Il.
Sunday, 5/28/89, Northwest Obedience Club of Suburban
Chicago, Barrington Hills, Il.

TRACKING TESTS EXCELLENT

Sunday, 3/19/89, Fox Valley DTC, St. Charles, Il.
Sunday, 4/26/89, Rand Park DTC, Barrington Hills, Il.
Sunday, 4/2/89, Pecatonica Tracking Club, Rockford, Il.
Sunday, 4/9/89, Westside DTC, Barrington Hills, Il.
Sunday, 4/30/89, Lyons Township DTC, Naperville, Il.

FIELD TRIALS

3/11-3/12/89, Vizsla Club of Illinois, DesPlaines, Il.
Mark Johnson, Secy.
3/18-3/19/89, Vizsla Club of Michigan, Ionia, Mi.
3/18-3/19/89, Weimaraner Club of Northern Ill., DesPlaines
3/18-3/19/89, Nebraska Vizsla Club, Branched Oak
4/1-4/2/89, Vizsla Club of Greater Cleveland, Killdeer
4/8-4/9/89, Miami Valley Vizsla Club, Indian Creek
4/29-4/30/89, Western Irish Setter Club, DesPlaines

HUNTING TESTS

3/11-3/12/89, GSPC of Indiana, Secy. Char Rutar
(317-534-3002)
3/18-3/19/89, Greater Milwaukee Brittany Club, Bong Rec.
Area, Secy. Judith Kingsbury (414-255-6396)
4/2/89, Nebraska Vizsla Club, Yankee Hill Dog Training
Area, Secy. Bud Graff

FUN MATCHES

Saturday, 3/11/89, **Port Payne KC**, DuPage County Fairgrnds,
contact Charlotte Swigart, 4728 Devon, Lisle, Il. 60532
Friday, 3/31/89, Dog Handlers' Guild, McCormick Place,
contact Helen Funk, (312-526-7555)

AGILITY CLINIC

4/29/89, N.E. Bouvier Des Flandes Club, St. Charles, Il'.
info: Andrea Grono (312-274-3515) Pat Walton (219-96-3890)

FROM:

SUE BOGGS

10700 Smith Rd.

Pecatonica, IL 61053



TO:

Mr. & Mrs. Mark Johnson

840 Ellynwood Dr.

Glen Ellen, IL. 61037

60137

REMEMBER!

Our next club meeting will be
Wednesday, 3/15/69 at 8:00pm
at the Woehrle's. Call (312)-
529-0978 for directions.

To Avoid Delay Due To Incorrect
Zip Code — Advise Mailer
Correct Zip Code